

Simple, Reliable, Affordable Automatic Cotton Inserting



Model CS1 Cotton Inserter



Close-up of insertion area

The CS1 Cotton Inserter converts cotton or synthetic coil into short lengths, forms these lengths into an "inverted U" shape and inserts them into bottles.

First, the coil is pulled apart into a short length by feeding through two pairs of pinch rollers. This short piece is then folded and inserted up into a tube, forming the "inverted U". The tube then moves over the bottle and the piece is inserted down into the bottle.

The CS1 boasts several innovations which make it superior to other cottoners, including spring-loaded rollers which feed almost any size or grade of cotton or synthetic coil without adjustment... exclusive "cotton fingers" which center the piece before it is inserted up into the tube, and a 4-tube turret for smooth, error-proof operation.

Features:

- * *Handles most weights and grades of continuous coil material, including cotton, rayon and polyester.*
- * *Produces piece lengths from 2" to 9" (straight length before folding).*
- * *Inserts one piece or many (up to 10 pieces per bottle).*
- * *"No Cotton" sensor prevents unfilled bottles.*
- * *Produces from 60 to 90 pieces per minute.*
- * *Counts number of bottles filled.*
- * *Selectable fully automatic or manual modes.*
- * *Includes full auto-indexing components for conveyor line.*
- * *Includes sensors to detect the bottle to be filled and any bottles backed up down line.*
- * *Includes clear plastic front guard with safety interlock to protect operator.*
- * *Microprocessor control with flat panel operator interface*
- * *All contact parts stainless steel or delrin*

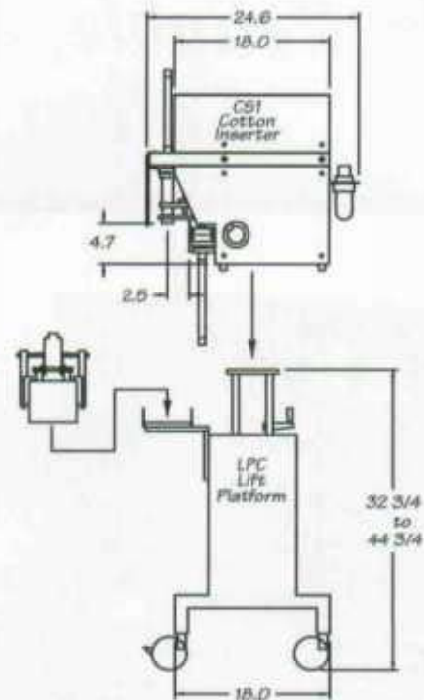
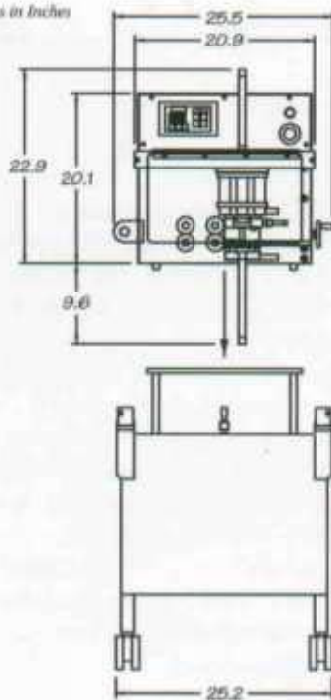
Designed and Manufactured in the USA by

DEITZ
COMPANY INC.

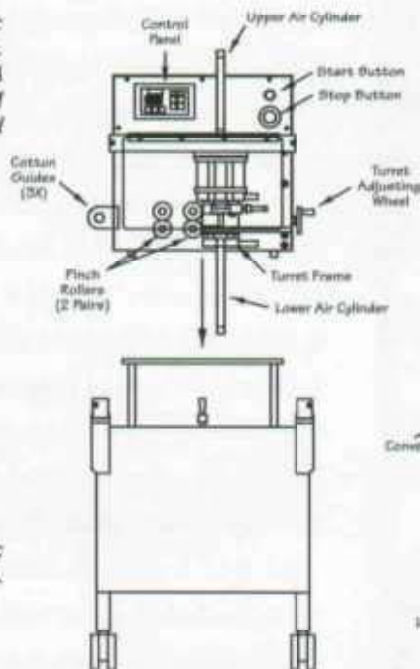
MODEL CS1

COTTON INSERTER & LPC LIFT PLATFORM

Dimensions in Inches



CSI Specifications:
 Weight/160 lbs.
 Electrical/110VAC 7A
 AIR/35 PSI, 40 CFM
 Filter/Regulator Included



LPC Specifications:
 Weight/100 lbs.

